

P/N: 72501-0103

Copyright

© 2020, FLIR Systems, Inc.

All rights reserved worldwide. Names and marks appearing herein are either registered trademarks or trademarks of FLIR Systems and/or its subsidiaries. All other trademarks, trade names or company names referenced herein are used for identification only and are the property of their respective owners.

Document identity

Publ. No.: 72501-0103

Commit: 66249

Language:

Modified: 2020-05-14

Formatted: 2020-06-12

Website

<http://www.flir.com>

Customer support

<http://support.flir.com>

Disclaimer

Specifications subject to change without further notice. Camera models and accessories subject to regional market considerations. License procedures may apply. Products described herein may be subject to US Export Regulations. Please refer to exportquestions@flir.com with any questions.



| General description | |
|---|--|
| The FLIR T1020 is designed for the expert requiring the highest performance and the latest technology available. The camera combines excellent ergonomics and feature-rich flexibility with superior image quality at an infrared resolution of 1024 × 768 pixels. | |
| Benefits: | |
| <ul style="list-style-type: none"> • Flexible and feature rich: A wide variety of measuring and analysis functions make the FLIR T1020 flexible for your every need. Two programmable buttons provide easy access to favorite functions. • Highest performance with the latest technology: The FLIR T1020 is equipped with the innovative Multi Spectral Dynamic Imaging (MSX) feature, which produces an image richer in detail than ever before. With its continuous autofocus, the FLIR T1020 is a fully automatic infrared camera. • Support for UltraMax: When enabling UltraMax in the camera, the resolution of images can be substantially enhanced when importing the images into a FLIR Thermography software. | |
| Imaging and optical data | |
| IR resolution | 1024 × 768 pixels |
| MSX resolution | 1024 × 768 pixels |
| UltraMax | Yes |
| Thermal sensitivity/NETD | <20 mK @ +30°C (+86°F) |
| Field of view (FOV) | 45° × 34° |
| Minimum IR focus distance | 0.2 m (0.66 ft.) |
| Minimum IR-visual alignment distance | 0.5 m (1.64 ft.) |
| Focal length | 21.2 mm (0.83 in.) |
| Spatial resolution (IFOV) | 0.80 mrad |
| Lens identification | Automatic |
| F-number | 1.1 |
| Image frequency | 30 Hz |
| Focus | One shot or manual |
| Digital zoom | 1–8× continuous |
| Digital image enhancement | Adaptive digital noise reduction |
| Detector data | |
| Detector type | Focal plane array (FPA), uncooled microbolometer |
| Spectral range | 7.5–14 μm |
| Detector pitch | 17 μm |

P/N: 72501-0103

© 2020, FLIR Systems, Inc.

#72501-0103; r. 66249;

| Image presentation | |
|----------------------------------|--|
| Display | Built-in touch screen, 4.3 in. wide screen LCD, 800 × 480 pixels |
| Display type | Capacitive touch screen |
| Auto orientation | Automatic landscape or portrait |
| Viewfinder | Built-in 800 × 480 pixels |
| Automatic image adjustment | Continuous, histogram based |
| Automatic image adjustment, type | Standard or histogram based on the image content |
| Manual image adjustment | Linear based, possible to adjust level/span/max./min. |

| Image presentation modes | |
|--------------------------------------|---|
| Image modes | Thermal, thermal MSX, picture in picture, digital camera |
| Infrared image | Full color infrared image |
| Visual image | Full color visual image |
| Multi Spectral Dynamic Imaging (MSX) | Thermal image with enhanced detail presentation |
| Picture in Picture | Resizable and movable infrared area on the visual image |
| Gallery | <ul style="list-style-type: none"> Review thumbnail/full image on the camera Edit measurements/palettes/image modes on the camera |

| Measurement | | |
|-----------------------------------|-----------------------------------|---------------|
| Object temperature range | | Accuracy |
| -40 to +150°C (-40 to +302°F) | -40 to +5°C (-40 to +41°F) | ±2°C (±3.6°F) |
| | +5 to +100°C (+41 to +212°F) | ±1°C (±1.8°F) |
| | +100 to +150°C (+212 to +302°F) | ±1% |
| 0 to +650°C (+32 to +1202°F) | 0 to +100°C (+32 to +212°F) | ±2°C (±3.6°F) |
| | +100 to +650°C (+212 to +1202°F) | ±2% |
| +300 to +2000°C (+572 to +3632°F) | +300 to +2000°C (+572 to +3632°F) | ±2% |

NOTE

For HSI use, above 30 Hz frame rate, the typical accuracy will be ±2.5°C (±4.5°F), or 2.5% of reading @ 25°C (77°F).

A special calibration is required for your T10xx camera to work with the HSI box. Therefore, the HSI box needs to be ordered with the camera, or when ordered separately, the special calibration can be added to the camera later on by a FLIR Service Center.

| Screening mode | |
|-----------------------|--|
| Sampling average mode | Recommended temperature range: 30 to 45°C (86 to 113°F) in stable room temperature Accuracy (drift): ±0.3°C (±0.5°F) ¹ |

| Measurement analysis | |
|----------------------|--|
| Spotmeter | 10 |
| Area | 5 + 5 areas (boxes and circles) with max./min./average |

1. No external blackbody needed.



FLIR T1020 45°

P/N: 72501-0103

© 2020, FLIR Systems, Inc.

#72501-0103; r. 66249;

| Measurement analysis | |
|---|--|
| Profile | 1 line profile with max./min. temperature |
| Automatic hot/cold detection | Auto hot or cold spotmeter markers within the area and profile |
| Measurement presets | No measurements, Center spot, Hot spot, Cold spot, User preset 1, User preset 2 |
| User presets | The user can select and combine measurements from any number of spots/boxes/circles/profiles/delta |
| Difference temperature | Delta temperature between the measurement functions and the reference temperature |
| Reference temperature | Manually set using the difference temperature |
| Atmospheric transmission correction | Automatic, based on the inputs for distance, atmospheric temperature, and relative humidity |
| Optics transmission correction | Automatic, based on signals from internal sensors |
| Emissivity correction | Variable from 0.01 to 1.0 or selected from the materials list |
| Reflected apparent temperature correction | Automatic, based on the input of the reflected temperature |
| External optics/windows correction | Automatic, based on the inputs of the window transmission and temperature |
| Measurement corrections | Emissivity, reflected temperature, relative humidity, atmospheric temperature, object distance, external infrared window compensation |
| Colors (palettes) | Iron, Rainbow, Rainbow HC, White hot, Black hot, Arctic, Lava |
| Alarm | |
| Color alarm (isotherm) | <ul style="list-style-type: none"> • Above • Below • Interval • Condensation (moisture/humidity/dewpoint) • Insulation |
| Measurement function alarm | Audible/visual alarms (above/below) on any selected measurement function |
| Set-up | |
| Set-up commands | Define user presets, Save options, Programmable button, Reset options, Set up camera, Wi-Fi, GPS & compass, Bluetooth, Language, Time & units, Camera information |
| Languages | Arabic, Czech, Danish, Dutch, English, Finnish, French, German, Greek, Hungarian, Italian, Japanese, Korean, Norwegian, Polish, Portuguese, Russian, simplified Chinese, Swedish, traditional Chinese, Turkish |
| Service functions | |
| Camera software update | Using USB cable or SD card |
| Storage of images | |
| Image storage | Standard JPEG, including digital image and measurement data, on a memory card |
| Storage media | Removable media SD or SDHC card. Class 10 or better recommended |

P/N: 72501-0103

© 2020, FLIR Systems, Inc.

#72501-0103; r. 66249;

| Storage of images | |
|--------------------------------------|---|
| Image storage mode | <ul style="list-style-type: none"> Simultaneous storage of thermal and digital images in the same JPEG file Option to store a digital photo as a separate JPEG file |
| Time lapse | 15 seconds to 24 hours |
| File formats | <ul style="list-style-type: none"> Standard JPEG, measurement data included CSQ, measurement data included |
| File formats, visual | Standard JPEG, automatically associated with the corresponding thermal image |
| Image annotations | |
| Voice | 60 seconds (via Bluetooth) stored with the image |
| Text | Add table, select between predefined templates |
| Image description | Add short note (stored in the JPEG exif tag) |
| Sketch | <ul style="list-style-type: none"> Draw on the thermal/digital image or add predefined stamps Separate PC software with extensive report generation |
| METERLiNK | Wireless connection (Bluetooth) to: FLIR meters with METERLiNK |
| Geographic Information System | |
| GPS | Location data automatically added to every image from the built-in GPS |
| Compass | Camera direction automatically added to every image |
| Video recording in camera | |
| Radiometric IR-video recording | Real-time radiometric recording (RTRR) to the memory card |
| Non-radiometric IR-video recording | H.264 to the memory card |
| Visual video recording | H.264 to the memory card |
| Video streaming | |
| Radiometric IR-video streaming | Real-time radiometric streaming (RTRS) via USB |
| Non-radiometric IR-video streaming | <ul style="list-style-type: none"> H.264 video using Wi-Fi H.264 video using USB |
| Visual video streaming | <ul style="list-style-type: none"> H.264 video using Wi-Fi H.264 video using USB |
| Digital camera | |
| Built-in digital camera | 5 Mpixel with LED light |
| Digital camera | Field of view adapts to the infrared lens |
| Video lamp | Built-in LED light |
| Laser pointer | |
| Laser | Activated by a dedicated button |
| Laser alignment | Position is automatically displayed on the infrared image |

P/N: 72501-0103

© 2020, FLIR Systems, Inc.

#72501-0103; r. 66249;

| | |
|--------------------------------------|---|
| Laser pointer | |
| Laser classification | Class 2 |
| Laser type | Semiconductor AlGaInP diode laser, 1 mW, 635 nm (red) |
| Data communication interfaces | |
| Interfaces | USB Micro-B, Bluetooth, Wi-Fi, HDMI |
| METERLiNK/Bluetooth | Communication with headset and external sensors |
| Wi-Fi | Infrastructure (network) or AP |
| SD Card | One card slot for removable SD memory cards |
| Audio | Microphone headset via Bluetooth for the voice annotation of images |
| USB | |
| USB | USB Micro-B: data transfer/video |
| USB, standard | <ul style="list-style-type: none"> • USB 2.0 High Speed • USB Micro-B connector |
| Video | |
| Video out | <ul style="list-style-type: none"> • HDMI 640 × 480 • HDMI 1280 × 720 • DVI 640 × 480 • DVI 800 × 600 |
| Video, connector type | HDMI type C |
| Radio | |
| Wi-Fi | <ul style="list-style-type: none"> • Standard: 802.11 b/g/n • Frequency range: 2412–2462 MHz • Max. output power: 15 dBm |
| METERLiNK/Bluetooth | Frequency range: 2402–2480 MHz, supports 2.1 and 4.0 |
| Antenna | Internal |
| Power system | |
| Battery type | Rechargeable Li ion battery |
| Battery operating time | >2.5 hours at 25°C (+68°F) and typical use |
| Charging system | In camera (AC adapter or 12 V from a vehicle) or two-bay charger |
| Charging time | 2.5 hours to 90% capacity, charging status indicated by LEDs |
| Charging temperature | 0°C to +45°C (+32°F to +113°F), except for the Korean market: +10°C to +45°C (+50°F to +113°F) |
| External power operation | AC adapter 90–260 V AC, 50/60 Hz or 12 V from a vehicle (cable with a standard plug, optional) |
| Power management | Automatic power-off functionality, user configurable between 5 minutes, 20 minutes, and no automatic shutdown |
| Environmental data | |
| Operating temperature range | –15°C to +50°C (+5°F to +122°F) |
| Storage temperature range | –40 to +70°C (–40 to +158°F) |
| Humidity (operating and storage) | IEC 60068-2-30 / 24 hours, 95% relative humidity, 25–40°C (77–104°F) / 2 cycles |

P/N: 72501-0103

© 2020, FLIR Systems, Inc.

#72501-0103; r. 66249;

| Environmental data | |
|-------------------------------------|---|
| EMC | <ul style="list-style-type: none"> ETSI EN 301 489-1 (radio) ETSI EN 301 489-17 EN 61000-6-2 (Immunity) EN 61000-6-3 (Emission) FCC 47 CFR Part 15 Class B (Emission) ICES-003 |
| Radio spectrum | <ul style="list-style-type: none"> ETSI EN 300 328 FCC Part 15.247 RSS-247 Issue 2 |
| Encapsulation | IP 54 (IEC 60529) |
| Shock | 25 g (IEC 60068-2-29) |
| Vibration | 2 g (IEC 60068-2-6) |
| Safety | EN/UL/CSA/PSE 60950-1 |
| Ergonomics | The viewfinder plus the 120° rotating optical block allow you to point the camera in multiple directions while maintaining a comfortable position |
| Physical data | |
| Weight | 2.0 kg (4.3 lb.) |
| Camera size, excl. lens (L x W x H) | 167.2 mm x 204.5 mm x 188.3 mm (6.6 in. x 8.0 in. x 7.4 in.) |
| Tripod mounting | UNC ¼"-20 |
| Housing material | Magnesium |
| Warranty information | |
| Warranty | <ul style="list-style-type: none"> 2 years parts and labor coverage on the camera 5 years coverage on the battery 10 years coverage on the detector – the most vital part of the whole camera |
| Shipping information | |
| List of contents | <ul style="list-style-type: none"> Infrared camera with lens Battery (2 ea.) Battery charger Bluetooth headset Calibration certificate FLIR Thermal Studio Pro license card (1 year subscription) Hard transport case HDMI-HDMI cable Lens cap Memory card Neck strap Power supply, including multi-plugs Printed documentation USB cable, Std A to Micro-B |
| EAN-13 | 7332558010297 |
| UPC-12 | 845188010935 |
| Country of origin | Sweden |

Supplies & accessories:

- T199745; IR lens, f=142 mm (7°) with case and mounting support
- T199066; IR lens, f=21.2 mm (45°) with case
- T199064; IR lens, f=36 mm (28°) with case
- T199077; IR lens, f=83.4 mm (12°) with case



FLIR T1020 45°

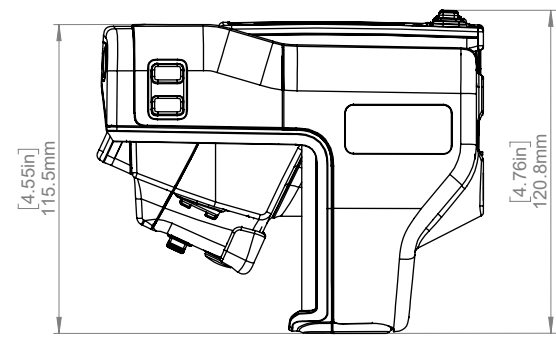
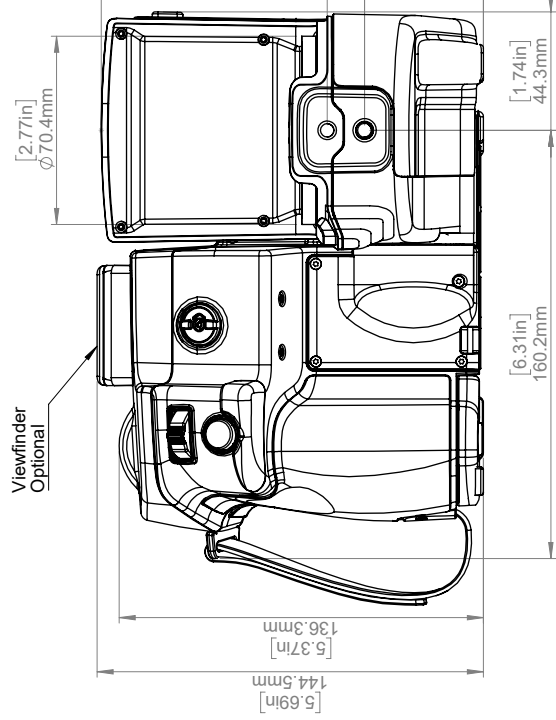
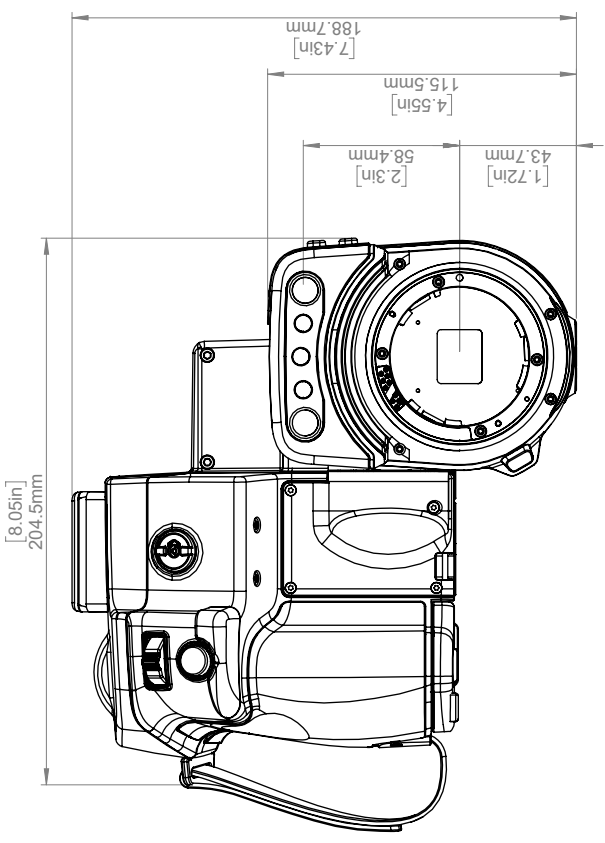
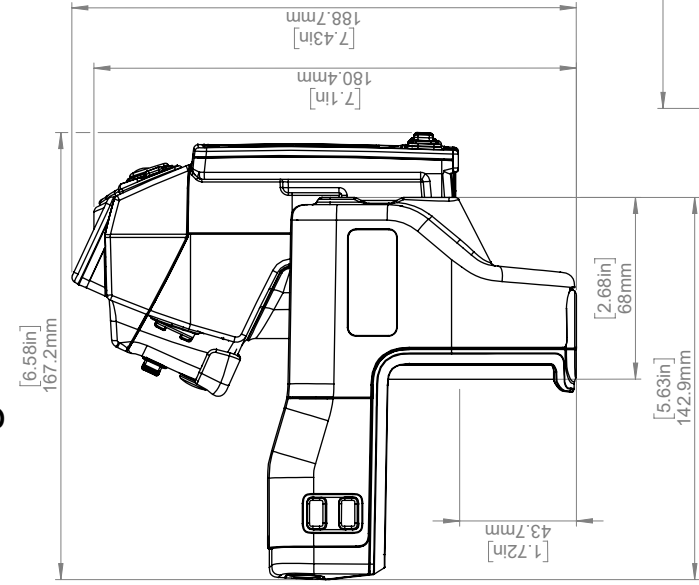
P/N: 72501-0103

© 2020, FLIR Systems, Inc.

#72501-0103; r. 66249;

- T910814; Power supply, incl. multi plugs
- T198126; Battery charger, incl. power supply with multi plugs T6xx
- T199364ACC; Battery Li-ion 3.65 V, 8.5 Ah, 32 Wh
- T911650ACC; Memory card SD Card 8 GB
- T198509; Cigarette lighter adapter kit, 12 VDC, 1.2 m/3.9 ft.
- T910930ACC; HDMI type C to DVI cable 1.5 m
- T910891ACC; HDMI type C to HDMI type A cable 1.5 m
- T198869ACC; Hard transport case for FLIR T10xx series
- T300030; Option, No radio
- T300194; FLIR SC kit T10xx
- T128829ACC; Neck strap
- T198497; Large eyecup
- T850105; FLIR Inspection Route - Camera Option
- T198533; USB cable Std A <-> Micro B
- T911093; Tool belt
- T197771ACC; Bluetooth Headset
- APP-10002; FLIR Tools Mobile (Android Application)
- APP-10003; FLIR Tools Mobile (iPad/iPhone Application)
- T198586; FLIR Reporter Professional (license only)
- T300243; FLIR Thermal Studio Pro, 1 Year Subscription
- T300083; FLIR Thermal Studio Pro, Perpetual license
- T300341; FLIR Thermal Studio Standard, 1 Year Subscription
- T300258; FLIR Thermal Studio Standard, Perpetual license
- T198584; FLIR Tools
- T198583; FLIR Tools+ (download card incl. license key)
- T199233; FLIR Atlas SDK for .NET
- T199234; FLIR Atlas SDK for MATLAB
- 4220499; FLIR Research Studio - 1 Year Subscription (online activation)
- 4220500; FLIR Research Studio - Perpetual License (online activation)
- 4220646; FLIR Research Studio - Perpetual License (USB dongle)
- INST-EW-0170; Extended Warranty 1 Year for T10xx, GF7x
- INST-EWGM-0180; Premium Service Package for A310pt, T10xx, GF7x
- INST-GM-0160; General Maintenance Package for T10xx, GF7x, P6xx, X90, SC1000

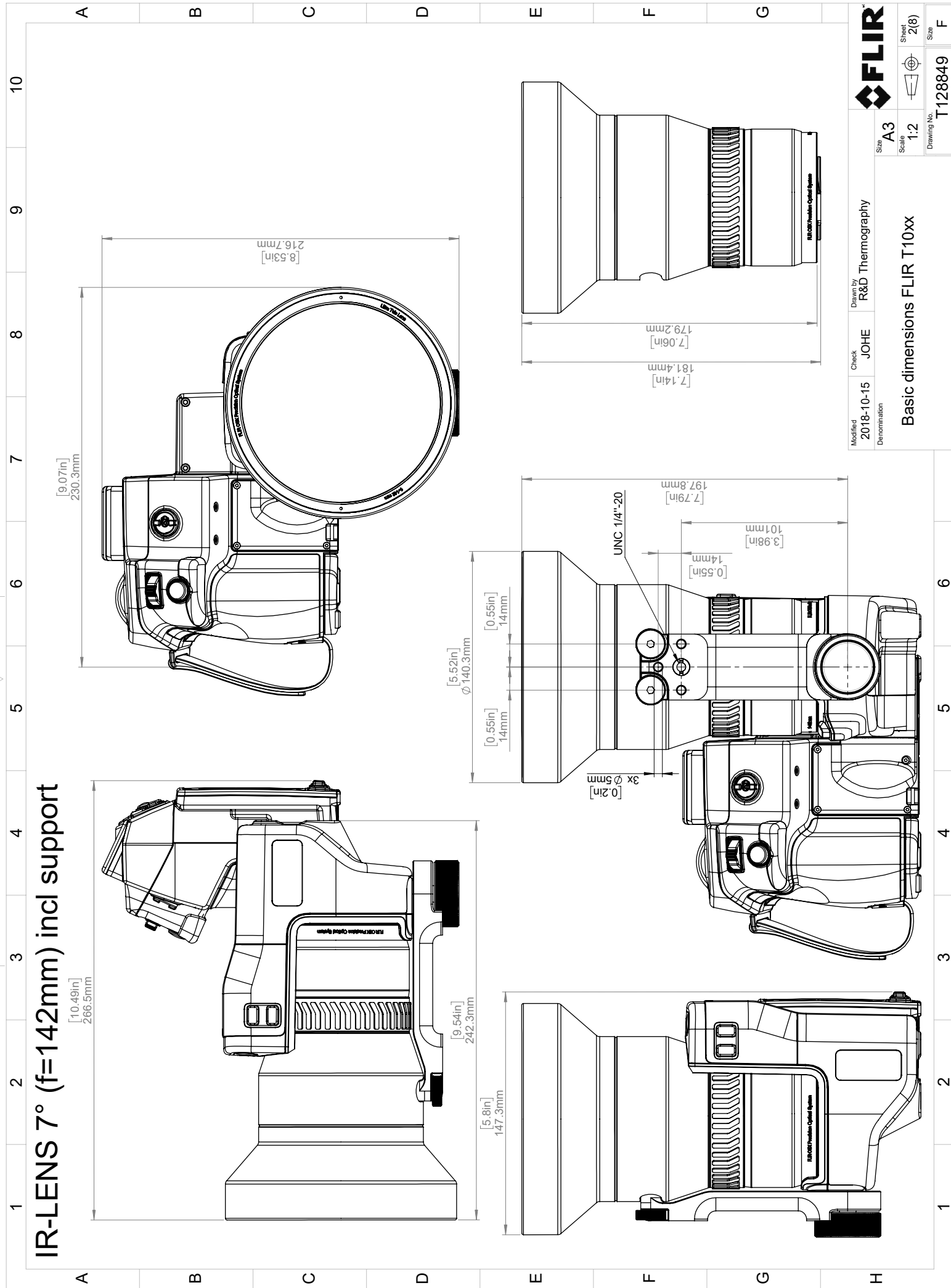
Camera housing



© 2012, FLIR Systems, Inc. All rights reserved worldwide. No part of this drawing may be reproduced, stored in a retrieval system, or transmitted in any form, or by any means, electronic, mechanical, photocopying, recording, or otherwise, without written permission from FLIR Systems, Inc. Specifications subject to change without further notice. Dimensional data is based on nominal values. Products may be subject to regional market considerations. License procedures may apply. Product may be subject to US Export Regulations. Please refer to exportquestions@flir.com with any questions. Diversion contrary to US law is prohibited.

| | | | | | | |
|--------------|------------|-------|-----------------------------|----------|------------------|-------|
| Modified | 2018-10-15 | Check | JOHE | Drawn by | R&D Thermography | FLIR |
| Denomination | | | Basic dimensions FLIR T10xx | | | |
| Size | A3 | | Scale | 1:2 | | Sheet |
| Sheet | 1(8) | | Drawing No. | T128849 | | Size |
| | | | | | | F |

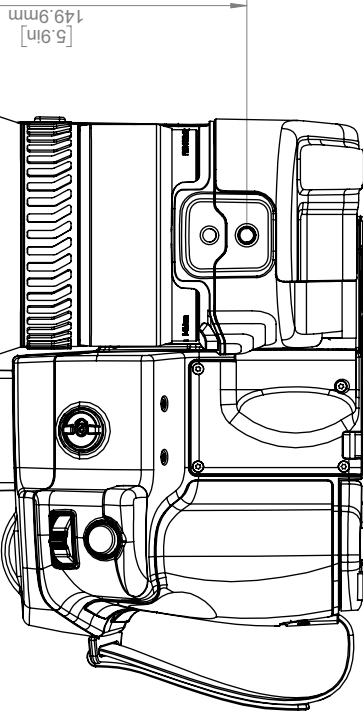
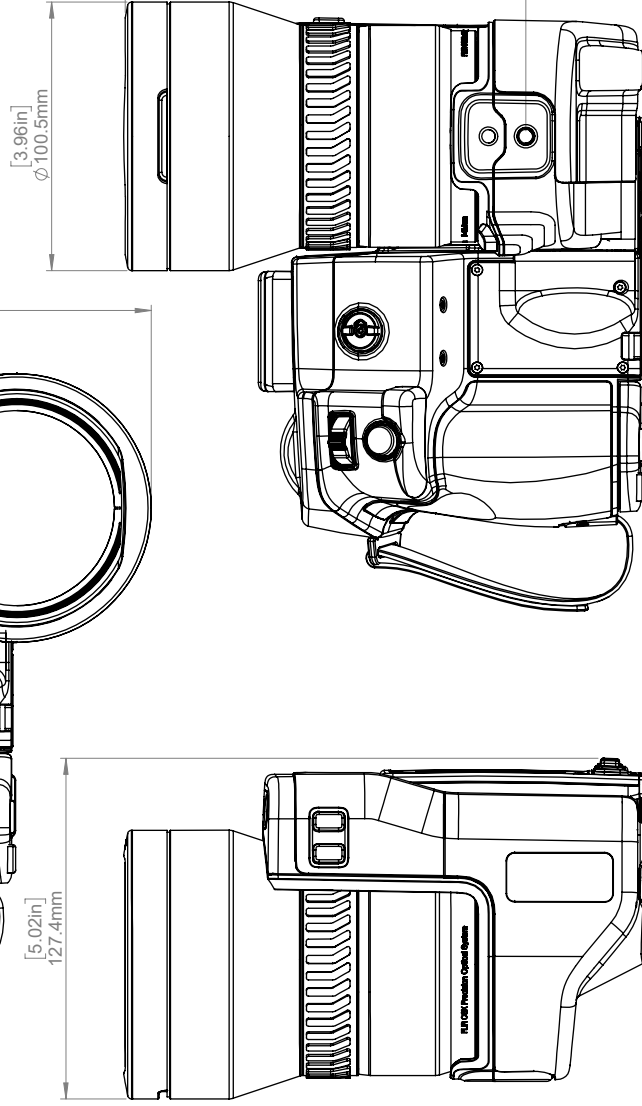
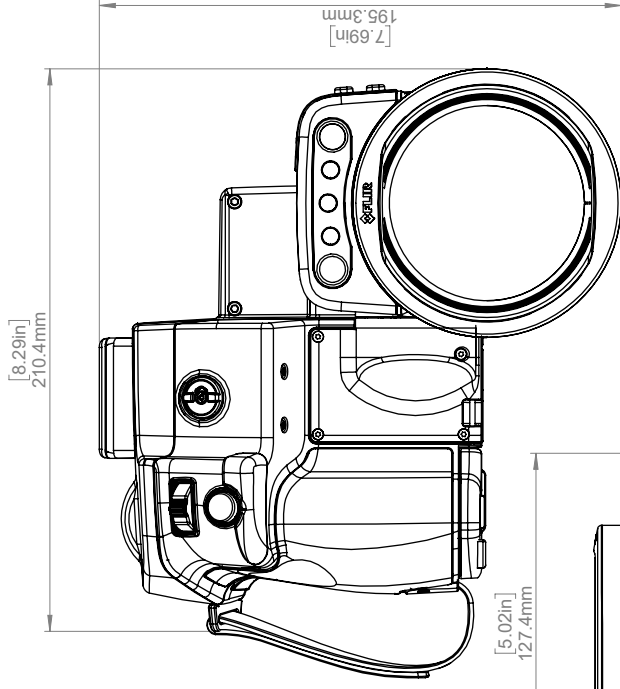
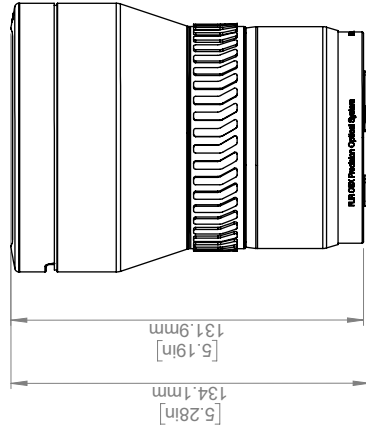
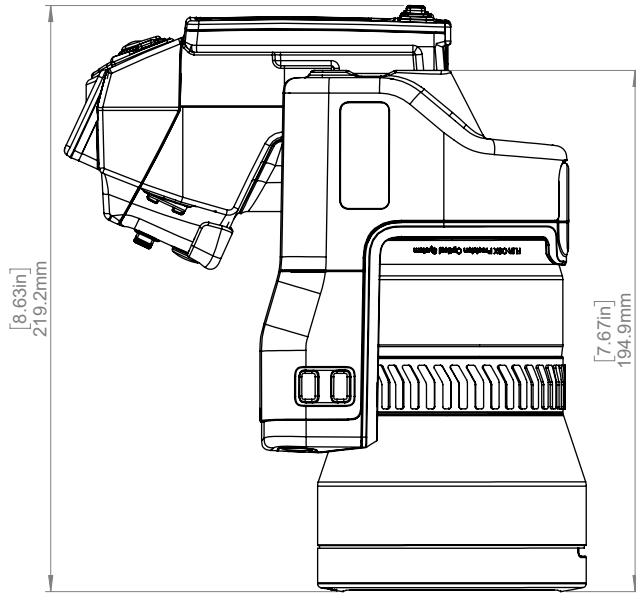
IR-LENS 7° (f=142mm) incl support



© 2012, FLIR Systems, Inc. All rights reserved worldwide. No part of this drawing may be reproduced, stored in a retrieval system, or transmitted in any form, or by any means, electronic, mechanical, photocopying, recording, or otherwise, without written permission from FLIR Systems, Inc. Specifications subject to change without further notice. Dimensional data is based on nominal values. Products may be subject to regional market considerations. License procedures may apply. Product may be subject to US Export Regulations. Please refer to exportquestions@flir.com with any questions. Division contrary to US law is prohibited.

| | | | | |
|---------------------------------------|--------------------|------------------------------------|----------------------------|----------------|
| FLIR | | Size: A3 | Sheet: 2(8) | Size: F |
| Modified: 2018-10-15 | Check: JOHE | Scale: 1:2 | Drawing No: T128849 | |
| Drawn by: R&D Thermography | | Basic dimensions FLIR T10xx | | |
| Denomination | | | | |

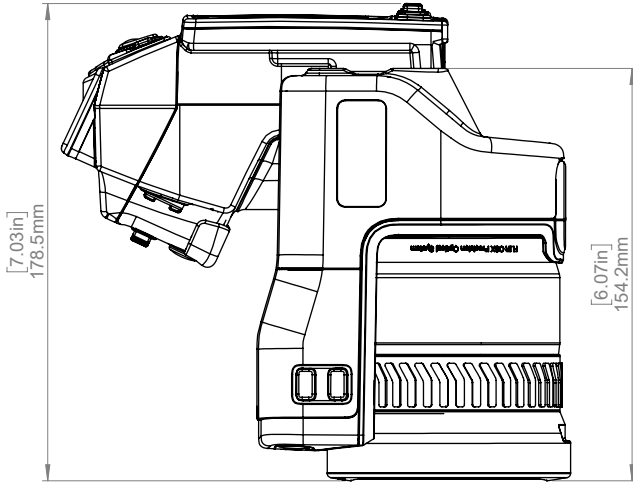
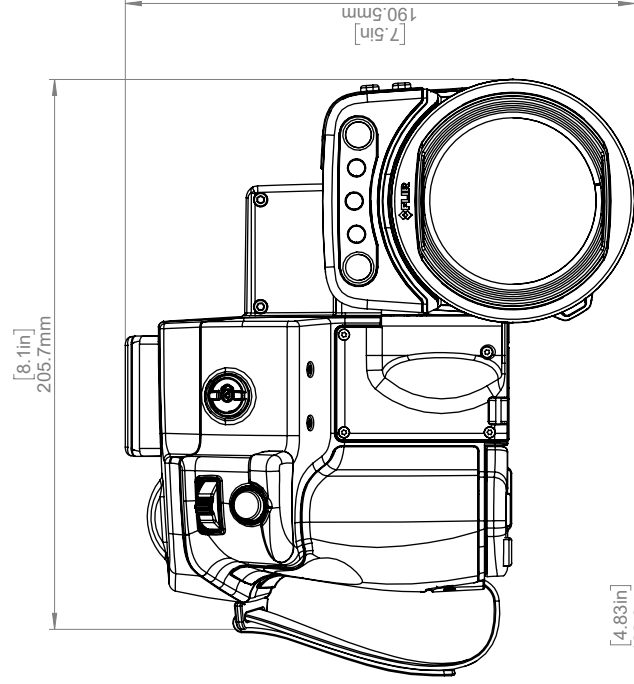
IR-LENS 12° (f=83,4mm)



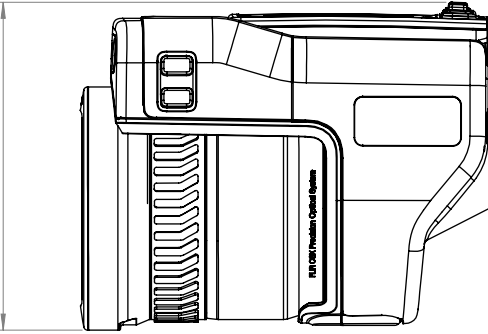
| | | | |
|--|---------------|------------------------------|------------------------|
| Modified 2018-10-15 Denomination | Check JOHE | Drawn by R&D Thermography | FLIR |
| Basic dimensions FLIR T10xx | | | Sheet 3(8) |
| Size A3 | | | Size F |
| Scale 1:2 | | | Drawing No. T128849 |

IR-LENS 28° (f=36mm)

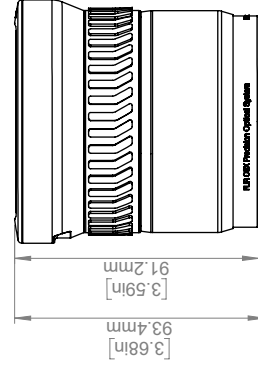
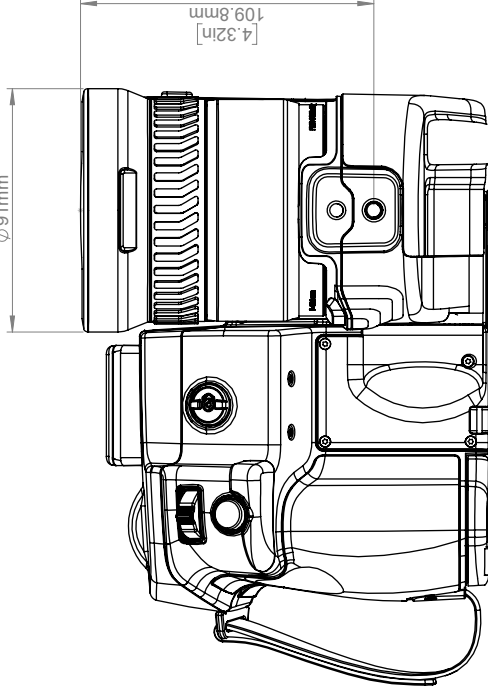
[8.1in]
205.7mm



[4.83in]
122.6mm



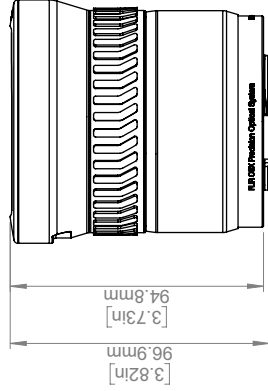
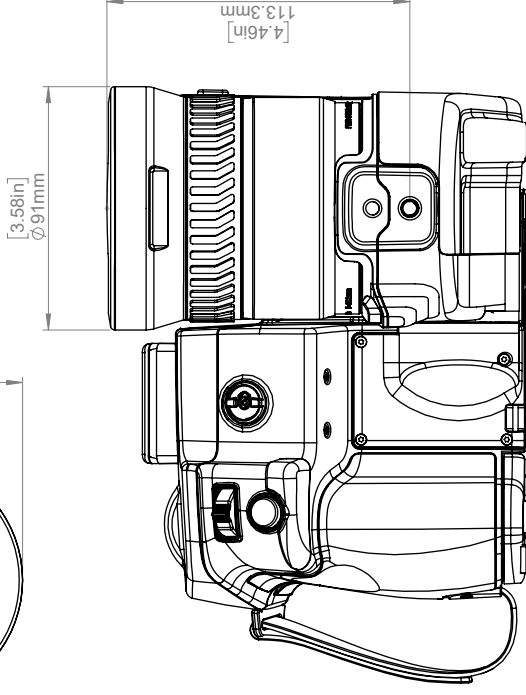
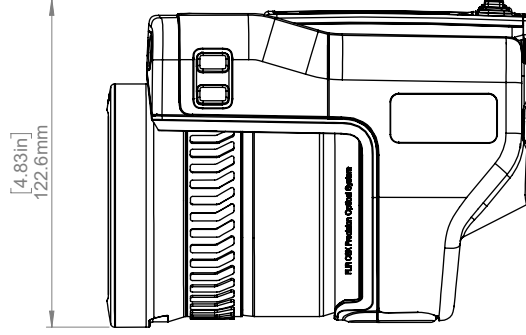
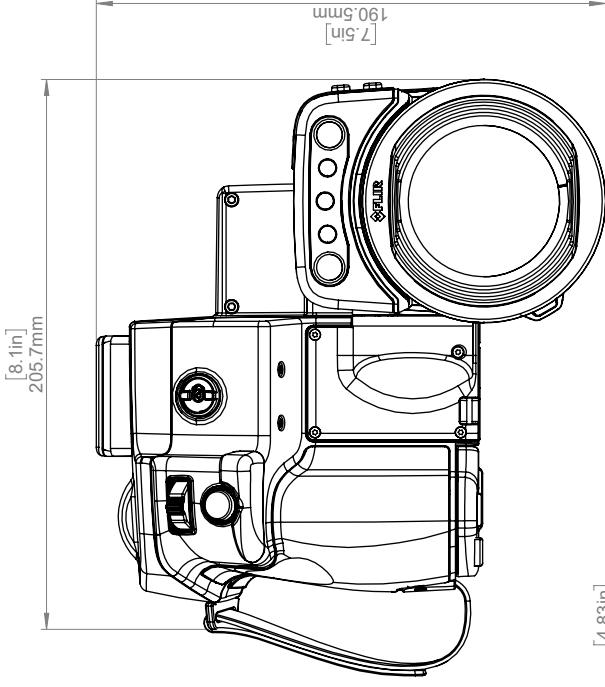
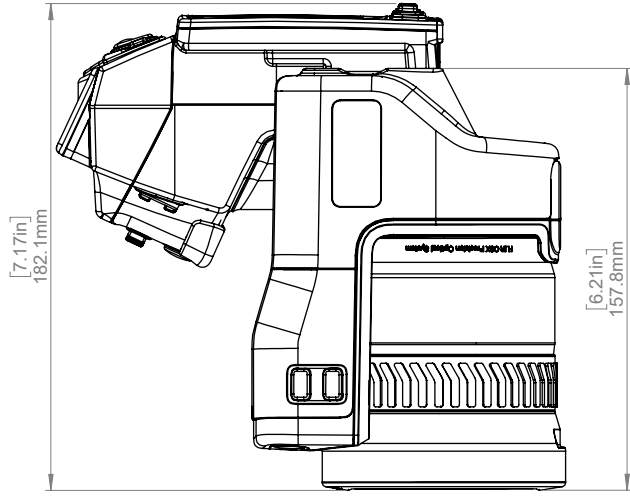
[3.58in]
Ø91mm



| | | | |
|--|---------------|------------------------------|------------------------|
| Modified 2018-10-15 Denomination | Check JOHE | Drawn by R&D Thermography | FLIR |
| Basic dimensions FLIR T10xx | | | Sheet 4(8) |
| Size A3 | | | Size F |
| Scale 1:2 | | | Drawing No. T128849 |

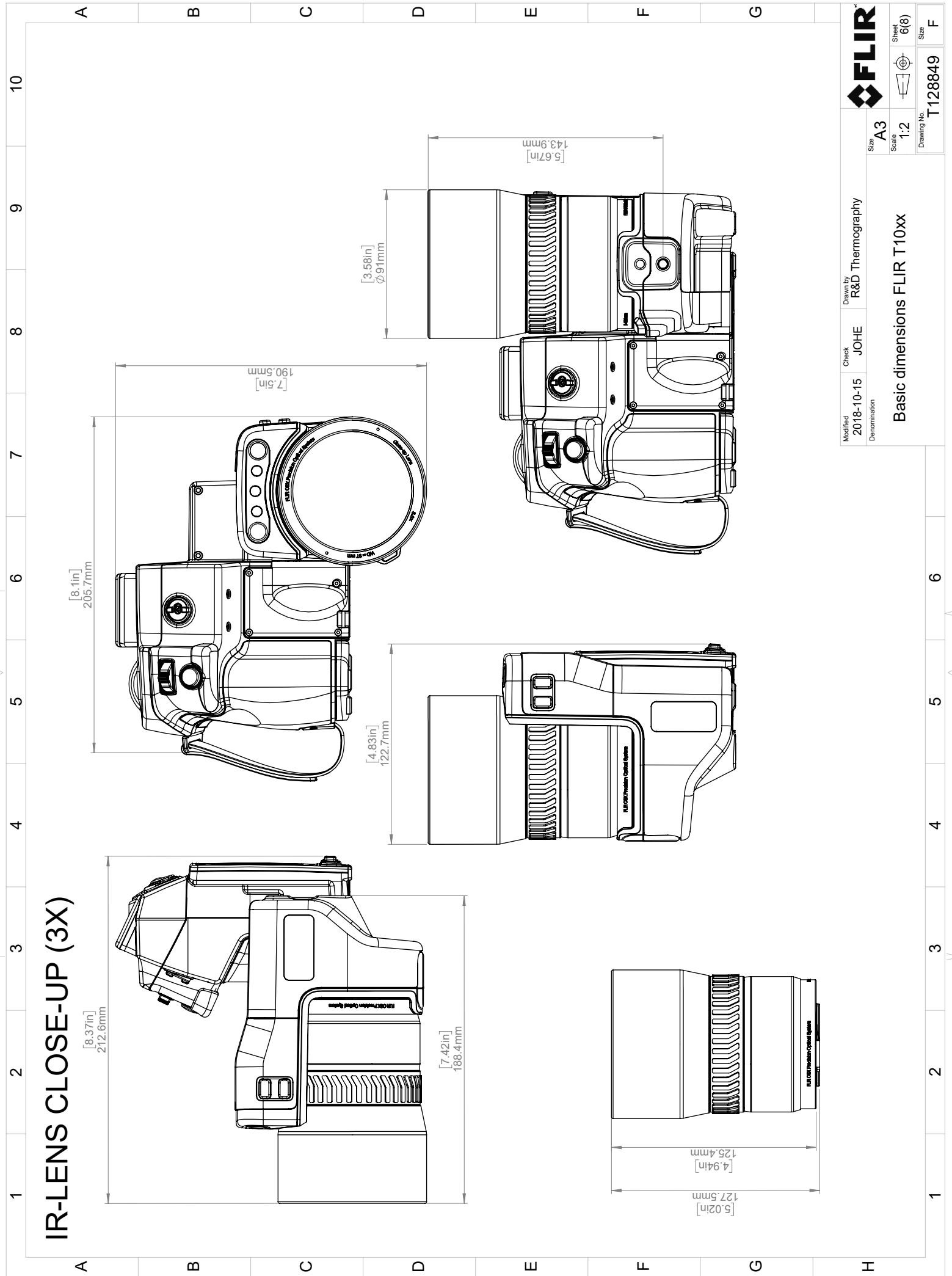
© 2012, FLIR Systems, Inc. All rights reserved worldwide. No part of this drawing may be reproduced, stored in a retrieval system, or transmitted in any form, or by any means, electronic, mechanical, photocopying, recording, or otherwise, without written permission from FLIR Systems, Inc. Specifications subject to change without further notice. Dimensional data is based on nominal values. License procedures may apply. Product may be subject to US Export Regulations. Please refer to exportquestions@flir.com with any questions. Division contrary to US law is prohibited.

IR-LENS 45° (f=21,2mm)



| | | | |
|--|---------------|------------------------------|---------------|
| Modified 2018-10-15 Denomination | Check JOHE | Drawn by R&D Thermography | FLIR™ |
| Basic dimensions FLIR T10xx | | | Sheet 5(8) |
| Size A3 | | | Scale 1:2 |
| Drawing No. T128849 | | | Size F |

IR-LENS CLOSE-UP (3X)



© 2012, FLIR Systems, Inc. All rights reserved worldwide. No part of this drawing may be reproduced, stored in a retrieval system, or transmitted in any form, or by any means, electronic, mechanical, photocopying, recording, or otherwise, without written permission from FLIR Systems, Inc. Specifications subject to change without further notice. Dimensional data is based on nominal values. Products may be subject to regional market considerations. License procedures may apply. Product may be subject to US Export Regulations. Please refer to exportquestions@flir.com with any questions. Diversion contrary to US law is prohibited.

| | | | | | | | |
|--------------|------------|-------|------|----------|------------------|-------------|---------|
| Modified | 2018-10-15 | Check | JOHE | Drawn by | R&D Thermography | Size | A3 |
| Denomination | | | | | | Scale | 1:2 |
| | | | | | | Sheet | 6(8) |
| | | | | | | Drawing No. | T128849 |
| | | | | | | Size | F |



Basic dimensions FLIR T10xx



November 13, 2017 Täby, Sweden

AQ320228

CE Declaration of Conformity – EU Declaration of Conformity

Product: FLIR T10XX -series

Name and address of the manufacturer:

FLIR Systems AB
PO Box 7376
SE-187 15 Täby, Sweden

This declaration of conformity is issued under the sole responsibility of the manufacturer.
The object of the declaration: FLIR T10XX -series (Product Model Name FLIR-T7250).
The object of the declaration described above is in conformity with the relevant Union harmonisation legislation:

Directives:

| | | |
|-----------|-------------|--|
| Directive | 2014/30/EU | Electromagnetic Compatibility |
| Directive | 2014/35/EU | Low Voltage Directive |
| Directive | 2012/19/EU | Waste electrical and electric equipment |
| Directive | 2014/53/EU | Radio Equipment Directive (RED) |
| Directive | 1999/519/EC | Limitation of exposure to electromagnetic fields (SAR) |
| Directive | 2011/65/EU | RoHS |

Standards:

| | | |
|-----------|---|--|
| Emission: | EN 61000-6-3:2007/A1:2011 | Electromagnetic Compatibility Generic |
| | EN 301489-1:2011 v1.9.2 | ERM – EMC for radio equipment |
| | EN 301489-17:2009 v2.2.1 | ERM – EMC Wideband data |
| Immunity: | EN 61000-6-2:2005 | Electromagnetic Compatibility Generic |
| | EN 301489-1:2011 v1.9.2 | ERM – EMC for radio equipment |
| | EN 301489-17:2009 v2.2.1 | ERM – EMC Wideband data |
| Laser: | EN 60825-1 | Safety of laser products |
| Radio: | ETSI EN 300 328 v2.1.1 | Harmonized EN covering essential requirements of the RED Directive |
| | EN 303 413 v1.1.0 | Radio Spectrum Efficiency (gps) |
| SAR: | EN 50566:2013 | Handheld and body mounted wireless |
| RoHS: | EN 50581:2012 | Technical documentation |
| Safety: | IEC 60950-1:2005+A1:2009 | Information technology equipment |
| | EN 60950-1:2006+A11:2009+A1:2010+AC:2011+A12:2011 | |

FLIR Systems AB
Quality Assurance

Lea Dabiri
Quality Manager