

# FLIR GF346 14.5° Fixed lens

**P/N: 59802-0101**

**Copyright**

© 2020, FLIR Systems, Inc.

All rights reserved worldwide. Names and marks appearing herein are either registered trademarks or trademarks of FLIR Systems and/or its subsidiaries. All other trademarks, trade names or company names referenced herein are used for identification only and are the property of their respective owners.

**Document identity**

Publ. No.: 59802-0101

Commit: 45202

Language: en-US

Modified: 2017-09-21

Formatted: 2020-06-12

**Website**

<http://www.flir.com>

**Customer support**

<http://support.flir.com>

**Disclaimer**

Specifications subject to change without further notice. Camera models and accessories subject to regional market considerations. License procedures may apply. Products described herein may be subject to US Export Regulations. Please refer to [exportquestions@flir.com](mailto:exportquestions@flir.com) with any questions.



General description	
<p>The FLIR GF346 is an infrared camera for optical gas imaging (OGI) that visualizes and pinpoints gas leaks of carbon monoxide (CO) and other harmful gases, without the need to shut down the operation. The portable camera also greatly improves operator safety, by detecting emissions at a safe distance, and helps to protect the environment by tracing leaks of environmentally harmful gases.</p> <p>CO is an industrial gas with applications in the steel industry and bulk chemicals manufacturing. It is also used for packaging systems for fresh meat and fish.</p>	
Benefits:	
<ul style="list-style-type: none"> <li>Improved efficiency: The FLIR GF346 reduces revenue loss by pinpointing even small gas leaks quickly and efficiently, and from a distance. It also reduces the inspection time by allowing a broad area to be scanned rapidly and without the need to interrupt the industrial process. The wireless connectivity of the camera allows you to connect to smart phones or tablets for the wireless transfer of images or remote control of the camera. The FLIR GF346 can also be used for temperature measurement, which makes it even more useful for predictive maintenance.</li> <li>Increased worker safety: CO can be toxic to humans when encountered in higher concentrations. OGI allows gas leaks to be detected in a non-contact mode and from a safe distance. This reduces the risk of the user being exposed to invisible and highly toxic gases or explosive chemicals. With a FLIR GF346 gas imaging camera it is easy to scan areas of interest that are difficult to reach with conventional methods. The camera is ergonomically designed, with a bright LCD and tiltable viewfinder, which facilitates its use over a full working day.</li> <li>Protecting the environment: Several gases, such as CO, have a high global warming potential, and are usually governed by regulations. Even small leaks can be detected and documented using the FLIR GF346 camera.</li> </ul>	
<p>Detects the following gases: carbon monoxide, nitrous oxide, ketene, ethenone, butyl isocyanide, hexyl isocyanide, cyanogen bromide, acetonitrile, acetyl cyanide, chlorine isocyanate, bromine isocyanate, methyl thiocyanate, ethyl thiocyanate, chlorodimethylsilane, dichloromethylsilane, silane, germane, arsine.</p>	
Imaging and optical data	
IR resolution	320 × 240 pixels
Thermal sensitivity/NETD	<15 mK @ +30°C (+86°F)
Field of view (FOV)	14.5° × 10.8°
Minimum focus distance	0.5 m (1.64 ft.)
Focal length	38 mm (1.49 in.)
Lens identification	Automatic
F-number	1.5
Focus	Automatic (one touch) or manual (electric or on the lens)
Zoom	1–8× continuous, digital zoom
Digital image enhancement	Noise reduction filter, high sensitivity mode (HSM)
Detector data	
Detector type	Focal plane array (FPA), cooled InSb
Spectral range	Built-in cold band pass filter 4.52–4.67 μm



# FLIR GF346 14.5° Fixed lens

P/N: 59802-0101

© 2020, FLIR Systems, Inc.

#59802-0101; r. 45202; en-US

<b>Detector data</b>	
Detector pitch	30 µm
Sensor cooling	Stirling Microcooler (FLIR MC-3)
Detects following gases	Carbon Monoxide, Nitrous Oxide, Ketene, Ethenone, Butyl Isocyanide, Hexyl Isocyanide, Cyanogen Bromide, Acetonitrile, Acetyl Cyanide, Chlorine Isocyanate, Bromine Isocyanate, Methyl Thiocyanate, Ethyl Thiocyanate, Chlorodimethylsilane, Dichloromethylsilane, Silane, Germane, Arsine
<b>Electronics and data rate</b>	
Full frame rate	60 Hz
<b>Image presentation</b>	
Display	Built-in widescreen, 4.3 in. LCD, 800 × 480 pixels
Viewfinder	Built-in, tiltable OLED, 800 × 480 pixels
Automatic image adjustment	Continuous/manual; linear or histogram based
Manual image adjustment	Level/span
<b>Image presentation modes</b>	
Image modes	IR image, visual image, high sensitivity mode (HSM)
<b>Measurement</b>	
Temperature range	-20°C to +300°C (-4°F to +572°F)
Accuracy	±1°C (±1.8°F) or ±1% of reading for temperature range 0°C to +300°C (+32°F to +572°F)
<b>Measurement analysis</b>	
Spotmeter	10
Area	5 boxes with max./min./average
Profile	1 live line (horizontal or vertical)
Difference temperature	Delta temperature between measurement functions or reference temperature
Reference temperature	Manually set or captured from any measurement function
Emissivity correction	Variable from 0.01 to 1.0 or selected from editable materials list
Reflected apparent temperature correction	Automatic, based on input of reflected temperature
Measurement corrections	Reflected temperature, distance, atmospheric transmission, humidity, external optics



# FLIR GF346 14.5° Fixed lens

P/N: 59802-0101

© 2020, FLIR Systems, Inc.

#59802-0101; r. 45202; en-US

<b>Set-up</b>	
Menu commands	Level, span Auto adjust continuous/manual/semi-automatic Zoom Palette Start/stop recording Store image Playback/recall image
Color palettes	Iron, Gray, Rainbow, Arctic, Lava, Rainbow HC
Set-up commands	1 programmable button, overlay recording mode, local adaptation of units, language, date and time formats
<b>Storage of images</b>	
Storage media	Removable SD or SDHC memory card , two card slots
Image storage capacity	> 1200 images (JPEG) with post process capability per GB on memory card
Image storage mode	IR/visual images Visual image can automatically be associated with corresponding IR image
Periodic image storage	Every 10 seconds up to 24 hours
File formats	Standard JPEG, 14 bit measurement data included
<b>Geographic Information System</b>	
GPS	Location data automatically added to every image from built-in GPS
<b>Video recording in camera</b>	
Radiometric IR video recording	*.seq video clips to memory card (7.5 and 15 Hz).
Non-radiometric IR video recording	MPEG4 (up to 60 minutes/clip) to memory card. Visual image can automatically be associated with corresponding recording of non-radiometric IR video.
Visual video recording	MPEG4 (25 minutes/clip) to memory card
<b>Video streaming</b>	
Radiometric IR video streaming	Full dynamic to PC using USB cable or to mobile devices using Wi-Fi. PC software capable of displaying the video stream include the following: <ul style="list-style-type: none"> <li>• FLIR IR Camera Player</li> <li>• FLIR ResearchIR</li> <li>• FLIR Tools</li> </ul>
Non-radiometric IR video streaming	RTP/MPEG4
<b>Digital camera</b>	
Built-in digital camera	3.2 Mpixels, auto focus, and two video lamps
<b>Laser pointer</b>	
Laser	Activated by dedicated button
Laser classification	Class 2
Laser type	Semiconductor AlGaInP diode laser, 1 mW, 635 nm (red)



# FLIR GF346 14.5° Fixed lens

P/N: 59802-0101

© 2020, FLIR Systems, Inc.

#59802-0101; r. 45202; en-US

USB	
USB	<ul style="list-style-type: none"> <li>• USB-A: Connect external USB device</li> <li>• USB Mini-B: Data transfer to and from PC</li> </ul>
USB, standard	USB Mini-B: 2.0 high speed

Composite video	
Video out	Digital video output (image)

Power system	
Battery type	Rechargeable Li ion battery
Battery voltage	7.2 V
Battery capacity	4.4 Ah
Battery operating time	> 3 hours at 25°C (+77°F) and typical use
Charging system	In camera (AC adapter or 12 V from a vehicle) or 2-bay charger
Charging time	2.5 h to 95% capacity, charging status indicated by LED's
External power operation	AC adapter 90–260 VAC, 50/60 Hz or 12 V from a vehicle (cable with standard plug, optional)
DC operation	10.8 to 16 V DC, polarity protected (proprietary protected)
Power	8.5 W typically
Start-up time	Typically 7 min. @ 25°C (+77°F)

Environmental data	
Operating temperature range	-20°C to +50°C (-4°F to +122°F)
Storage temperature range	-30°C to +60°C (-22°F to +140°F)
Humidity (operating and storage)	IEC 68-2-30/24 h 95% relative humidity +25°C to +40°C (+77°F to +104°F) (2 cycles)
Directives	<ul style="list-style-type: none"> <li>• 73/23EEC</li> <li>• 2004/108/EC</li> <li>• 2002/95/EC</li> <li>• 2002/96/EC</li> </ul>
EMC	<ul style="list-style-type: none"> <li>• EN61000-6-4 (Emission)</li> <li>• EN61000-6-2 (Immunity)</li> <li>• FCC 47 CFR Part 15 class A (Emission)</li> <li>• EN 61 000-4-8, L5</li> </ul>
Encapsulation	IP 54 (IEC 60529)
Shock	25 g (IEC 60068-2-27)
Vibration	2 g (IEC 60068-2-6)
Safety	Power supply: EN/UL/IEC 60950-1

Physical data	
Camera weight, excl. lens and battery	1.94 kg (4.27 lb.)
Camera weight, incl. lens and excl. battery	2.24 kg (4.94 lb.)
Camera weight, incl. lens and battery	2.48 kg (5.47 lb.)
Battery weight	0.24 kg (0.52 lb.)
Camera size, excl. lens (L × W × H)	284 × 169 × 161 mm (11.2 × 6.7 × 6.3 in.)
Cameras size, incl. lens (L × W × H)	305 × 169 × 161 mm (12.0 × 6.7 × 6.3 in.)
Battery size (L × W × H)	141 × 47 × 28 mm (5.5 × 1.8 × 1.1 in.)

P/N: 59802-0101

© 2020, FLIR Systems, Inc.

#59802-0101; r. 45202; en-US

Physical data	
Battery charger size (L x W x H)	158 x 122 x 25 mm (6.2 x 4.8 x 1.0 in.)
Tripod mounting	UNC ¼"-20
Housing material	Aluminum, magnesium
Grip material	TPE thermoplastic elastomers
Shipping information	
Packaging, type	Cardboard box
List of contents	<ul style="list-style-type: none"> <li>• Infrared camera with lens</li> <li>• Battery charger</li> <li>• Battery, 2 ea.</li> <li>• Hard transport case</li> <li>• HDMI-DVI cable</li> <li>• HDMI-HDMI cable</li> <li>• Lens cap (mounted on lens)</li> <li>• Memory card</li> <li>• Power supply, incl. multi-plugs</li> <li>• Printed documentation</li> <li>• Shoulder strap</li> <li>• USB cable</li> <li>• Wi-Fi USB micro adapter (depending on CE and FCC regulations regarding wireless equipment for your country)</li> </ul>
Packaging, weight	
Packaging, size	400 x 190 x 510 mm (15.7 x 7.5 x 20.1 in.)

### Supplies & accessories:

- T911881ACC; Camera bag and harness, GF series
- T197692; Battery charger, incl. power supply with multi plugs
- T910814; Power supply, incl. multi plugs
- T199367ACC; Battery Li-ion 7.2 V, 4.4 Ah, 32 Wh
- T199183ACC; Battery Li-ion 7.2 V, 4.4 Ah, 32 Wh
- T911650ACC; Memory card SD Card 8 GB
- 1910423; USB cable Std A <-> Mini-B
- T198509; Cigarette lighter adapter kit, 12 VDC, 1.2 m/3.9 ft.
- 1910423ACC; USB cable Std A <-> Mini-B
- T910815ACC; HDMI to HDMI cable 1.5 m
- T910816ACC; HDMI to DVI cable 1.5 m
- T197555; Hard transport case for FLIR GF3xx-Series
- T951387; Wi-Fi USB micro adapter
- T130007; Extended Calibration Certificate
- T198567; ThermoVision™ System Developers Kit Ver. 2.6
- T198566; ThermoVision™ LabVIEW® Digital Toolkit Ver. 3.3
- APP-10002; FLIR Tools Mobile (Android Application)
- T198586; FLIR Reporter Professional (license only)
- T300243; FLIR Thermal Studio Pro, 1 Year Subscription
- T300083; FLIR Thermal Studio Pro, Perpetual license
- T300341; FLIR Thermal Studio Standard, 1 Year Subscription
- T300258; FLIR Thermal Studio Standard, Perpetual license
- T198584; FLIR Tools
- T198583; FLIR Tools+ (download card incl. license key)
- T198697; FLIR ResearchIR Max + HSDR 4 (hardware sec. dev.)
- T199014; FLIR ResearchIR Max + HSDR 4 (printed license key)
- T199044; FLIR ResearchIR Max + HSDR 4 Upgrade (printed license key)
- T198696; FLIR ResearchIR Max 4 (hardware sec. dev.)
- T199013; FLIR ResearchIR Max 4 (printed license key)
- T199043; FLIR ResearchIR Max 4 Upgrade (printed license key)
- T198731; FLIR ResearchIR Standard 4 (hardware sec. dev.)



## FLIR GF346 14.5° Fixed lens

---

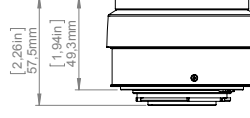
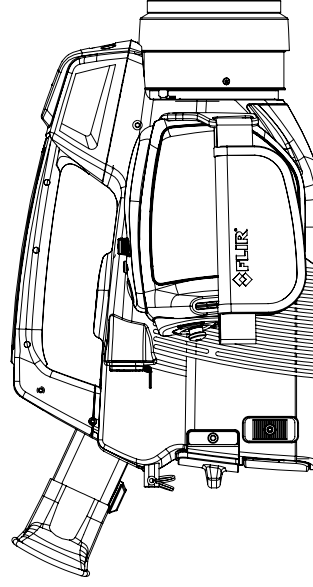
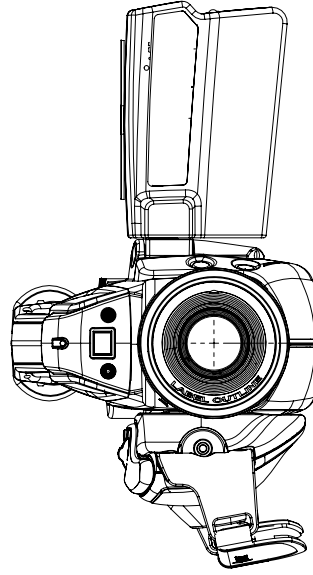
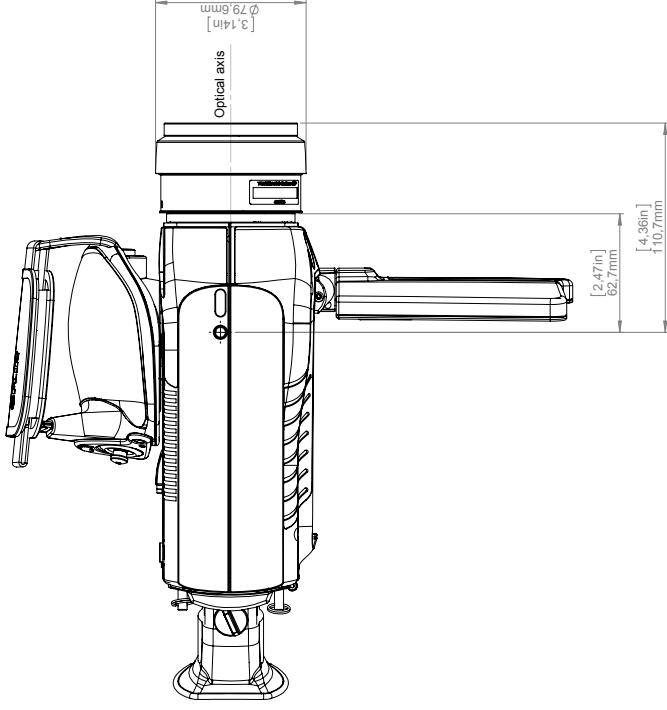
**P/N: 59802-0101**

© 2020, FLIR Systems, Inc.

#59802-0101; r. 45202; en-US

- T199012; FLIR ResearchIR Standard 4 (printed license key)
- T199042; FLIR ResearchIR Standard 4 Upgrade (printed license key)
- T199233; FLIR Atlas SDK for .NET
- T199234; FLIR Atlas SDK for MATLAB
- INST-EW-0230; Extended Warranty 1 Year for GF3xx, GFX320, G300pt, GF620, SC670X
- INST-EWGM-0210; Premium Service Package for A6604, GF3xx-series, GFX320, G300pt, GF620, GasFindIR HSX, GasFindIR LW, SC4000
- INST-GM-0175; General Maintenance Package for G300a, GF3xx

**Camera with Lens IR f=23 mm (24°)  
Camera with Lens IR f=38 mm (14,5°)**



For additional dimensions see page 1

Modified	Drawn by	Size	
2013-02-18	R&D Thermography	A3	
Drawn by	Check	Scale	
2013-02-18		1:2	
Drawn by	Check	Drawing No.	
		T127603	

**Basic dimension FLIR GF3xx**

